

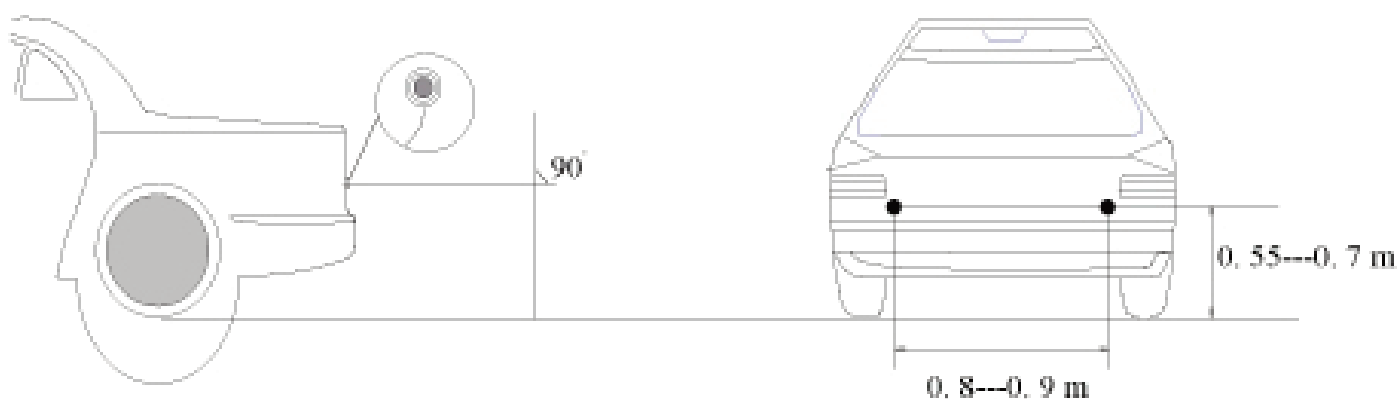
# CAR REVERSING AID RA-02B USER INSTRUCTION

The system works a little like a radar, omitting ultrasonic pulses which bounce of any objects behind the car and back to the sensor. The CPU converts these pulses into beeps and as you get closer to an object, the beeps also get closer together.

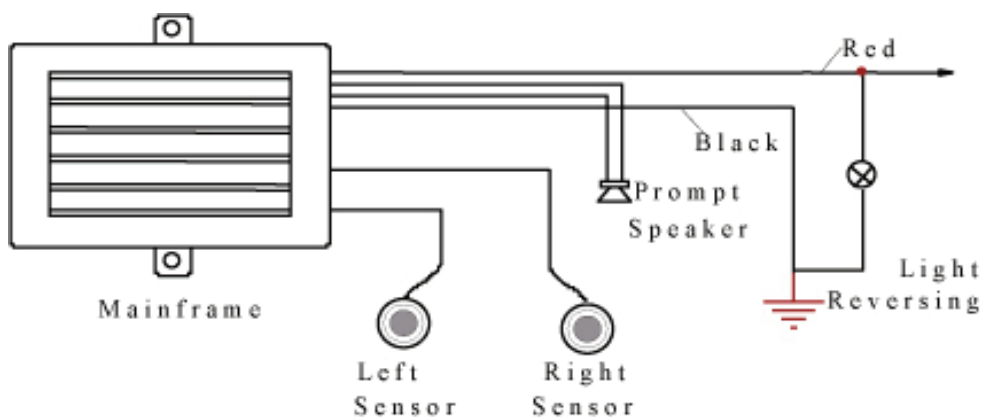
Particular care should be taken before drilling to ensure that there are no obstructions or brackets behind the bumper casing and that sufficient clearance exists for the sensor body.  
 After having drilled the hole, the sharp edge of the drilled holes should be polished smooth. If it is necessary to secure the sensors, silicon sealant (NOT Glue) can be used on the sensor body (avoiding the front part of sensor).  
 If the sensors are to be colour coded to match the bumper, spray 2 or 3 light coats. Metallic colours can be finished.

**Installing Sensors:** It is very important, sensors are more sensitive and should be installed with the thinner edge upwards and thicker edge downwards, resulting in the sensor facing away from the ground. This is necessary to prevent the sensors detecting the ground and feeding back false alarms.

## The Sensors should not be mounted lower than 50cm from ground level



1. Connect the red wire of the control unit with the positive wire of the reversing light.
2. Connect the black wire of the control unit with the negative wire of the reversing light.



Detection scope:

	First step	Second step	Third step
Beep step:	DI.....DI.....DI	DI...DI...DI	DI.DI.DI
Barrier distance:	1.5M-0.9M	0.9M-0.5M	0.5M-0.2M

Tech Details:  
 Working Voltage: 12vDC  
 Working Temperature: -25~+70C  
 Detecting distance: 1.5m-0.2m  
 Volume of alarm: 78dB

Please note that this system is designed to be driver's aid and should not replace the need to drive carefully, We accept no liability for damage or loss resulting from improper installation or use of this product, infringement of the vehicle manufacturer's warranty or injury or loss resulting from any accidents however caused. If in doubt please consult a qualified auto electrician.

**Commercial Electronics. 264 Haydons Road, Wimbledon, London SW19 8TT. United Kingdom . 020 8404 7105  
[www.hawkcaralarm.com](http://www.hawkcaralarm.com)**