



# HA-250

## Installation & User Manual



ISO 9001



QS 9000



Manufacturer:

COMMERCIAL ELECTRONICS  
264 HAYDONS ROAD  
WIMBLEDON  
LONDON SW19 8TT  
UK

Tel: +44 020 8404 7105 Fax: +44 020 8404 7104

<http://www.hawkcaralarm.com> e-mail: [info@hawkcaralarm.com](mailto:info@hawkcaralarm.com)

**This instruction manual is important.  
Please read it before installing the unit.**

## HA-250 Modula Alarm

2 Remote control  
Intelligent microprocessor control unit  
Boot & bonnet protection  
Flashes hazard lights  
Personal panic attack controlled from remote  
Siren silencing  
One time silent arm/disarm (via remote)  
Fail safe design  
Immobiliser output\*  
Ultrasonic interior protection (excl. Auto System)  
Universal central door locking  
Automatic door lock when ignition on (excl.)  
Automatic door unlock when ignition off (excl.)  
Check status LED  
Auto rearm  
Last door arming with or without door lock  
Anti-car jacking  
False alarm monitoring  
System malfunction warning  
Automatic malfunction bypass  
Automatic power window closure\*  
Remote power window opener\*  
Boot release via remote\*  
Door-open warning when ignition on  
Car finder  
Emergency disarming-override  
Valet mode  
120db siren  
E mark approved  
FCC approved  
DTI approved  
ISO 9001 / QS 9000

*\*Additional accessories or parts required*

## HA-250 INSTALLATION INSTRUCTIONS

### REMOTE CONTROL

Button	Step	Functions	Conditions
1	Press one time	a. Arm/disarm and lock/unlock doors b. Stop alarm temporarily	a. Ignition off b. Sounding
2	Press one time	a. Car Finder b. Anti-carjacking c. Exit anti-carjacking d. Boot release	a. Armed b. Ignition on c. Ignition on d. Ignition off
2 → 1	Press 2 once then press 1 within 2 sec	Silent mode	Ignition off
1 + 2	Press 1 and 2 together	Panic	Anytime

#### Note:

1. Please refer to the above table and the following operating instructions for all functions.
2. Please connect the red wire (power) to fuse box by car battery (see diagram)

Remote Control

HA-12B



### FEATURES

#### Code Learning

- a. Turn IGNITION ON, press valet switch 10 times within 10 seconds. Siren will chirp 3 times at the tenth second to enter code-learning mode. Then press any button on the remote control within 10 seconds.
- b. Turn IGNITION OFF or 10 seconds later, system will exit code learning.
- c. If a new remote control is to be programmed, all existing remote controls must be reprogrammed at the same time. Up to 3 remote controls can be programmed.

**ARMING**

- a. Press button 1.
- b. Siren will chirp 1 time and hazard lights will flash once.
- c. Doors locked after 0.5 sec or 3.5 sec (See Jumper Selection J1).
- d. LED will flash once per second.
- e. Disable engine starter (if starter kill relay connected).
- f. If any door is open, LED will blink twice per second, and the siren will chirp 4 times for notification. Then, the door trigger is bypassed.
- g. 3 Seconds later, alarm is armed. If ultrasonic sensor is triggered within 3 seconds, the circuit will be bypassed. System will rearm by itself only when the sensor is stable.

**DISARMING**

- a. Press button 1.
- b. Siren will chirp 3 times and hazard lights will flash 3 times. If siren chirps 4 times and hazard lights flash 4 times, which means the alarm has been activated. If in silent mode, only hazard lights will flash.
- c. Doors will be unlocked after 0.5sec or 3.5sec. (See Jumper Selection J1)
- d. Enable engine (if starter kill relay connected).

**SILENT ARMING**

- a. Press button 2 once and then press button 1 once within 2 seconds.
- b. hazard lights will flash once.
- c. Doors will be locked after 0.5sec or 3.5sec (See Jumper Selection J1)
- d. LED will flash 1 time per second.
- e. Disable engine starter (if starter kill relay connected)
- f. If any door is open, the hazard lights will flash 4 times for notification. Then, the door trigger is bypassed.
- g. After 3 seconds, the system is armed. If ultrasonic sensor is triggered within 3 seconds, the sensor will be bypassed. System will rearm by itself only when the sensor is stable.

- h. In silent arming mode, the ultrasonic sensor and external sensor will not activate the siren, but other sensors will trigger the siren and the hazard lights.

### **EMERGENCY DISARMING – OVERRIDE**

- a. If remote control is failed or lost in arming mode, please insert the key and turn IGNITION ON.
- b. Then press valet switch 5 times within 10 seconds. Siren will chirp 4 times and the hazard lights will flash 4 times, which indicates that the system is disarmed. This process must be finished within 10 seconds.

### **PANIC**

- a. Press button 1+2, the siren will sound, and hazard lights will flash for 30 seconds.
- b. Press button 1 or 2 to stop the panic.

### **CAR FINDER**

- a. Alarm is armed.
- b. Press button 2: siren will sound once and hazard lights will flash 10 times. (in silent mode, hazard lights will flash 10 times without siren sound)
- c. Press button 1 to stop it.

### **DOOR LOCK CONTROL (SEE JUMPER SELECTION J1)**

IGNITION ON: press button 1 to lock/unlock doors. The doors can be locked/unlocked after 0.5 or 3.5 sec as selection

### **ANTI-CARJACKING (SEE JUMPER SELECTION J3)**

- a. When IGNITION ON, press button 2 once, and open the door within 8 sec to activate anti-car jacking mode.
- b. System will enter anti-carjacking mode after closing the door, and 30 sec countdown starts.
- c. After 30 seconds, siren will sound once for every 2 seconds, 20 seconds later, siren will sound continuously and hazard lights will flash continuously
- d. Siren will stop sounding & hazard lights will stop flashing when IGNITION OFF. After IGNITION OFF, engine will not be able to start again (if starter kill relay connected).

- e. Disarm the anti-carjacking: Press button 2 over 2 seconds when IGNITION ON. The hazard lights will flash once for indication.

### **AUTOMATIC REARMING**

When alarm is disarmed, if IGNITION is **not** turned ON / doors are not opened, 30 sec later, system will be automatically rearmed.

### **LAST DOOR ARMING WITH OR WITHOUT DOOR LOCK (SEE JUMPER SELECTION J4)**

If IGNITION is OFF, system will be automatically armed 30 seconds after the last door is closed with/without door lock.

### **BOOT RELEASE/WINDOW OPENER\***

When IGNITION is OFF and system is in disarmed mode, press 2 and hold for 2 seconds to release boot.

### **VALET MODE**

- When IGNITION ON, press valet switch 3 times within 8 sec. LED will be constantly ON even IGNITION OFF, which indicates that system enters Valet Mode.
- When IGNITION OFF, button 1 will control lock/unlock doors. Siren will chirp twice and hazard lights will flash twice to indicate door locking, chirp three times and flash three times to indicate door unlocking.
- Disable Valet Mode: When IGNITION ON, press valet switch 3 times within 8 seconds. Then the LED will be OFF after 8 sec and system leaves Valet Mode
- NOTE: In Valet Mode, system will not be able to enter arming status. The remote control and other servicing features remain working.

### **DOOR LOCK/UNLOCK CONTROL (SEE JUMPER SELECTION J2)**

When driving, doors will be automatically locked upon first brake. Turn ignition OFF to unlock doors.

*\*Additional accessories or parts required*

## MEMORY FUNCTION

The Alarm will memorise the condition before the power is cut off.

## DOOR-OPENED WARNING

If one of the doors is opened when IGNITION ON, the hazard light will flash till the door is closed. (max flash 1 min)

## FUNCTION SELECTION

There are four jumper selections (J1-J4). See the table below. Important: All jumper selections have to be determined before install. Otherwise, you have to power off the module again for reset.

Jumper	Mode*	Function	Mode	Function
J1: Lock Timer		0.5 sec		3.5 sec
J2: Door Lock/Unlock with Brake		Yes		No
J3: Anti-Carjacking		Yes		No
J4: Last Door Arming with/without Door Lock		Without		With

\*Factory default

## INDICATION

### LED conditions

- Arming: LED flash slowly once per sec.
- Re-arming mode: LED flashes quickly when counts down.
- Valet mode: LED continuously ON.

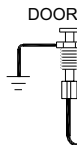
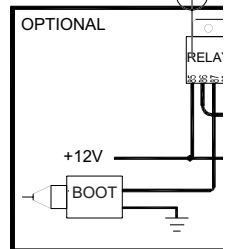
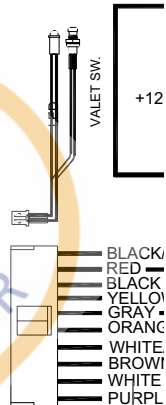
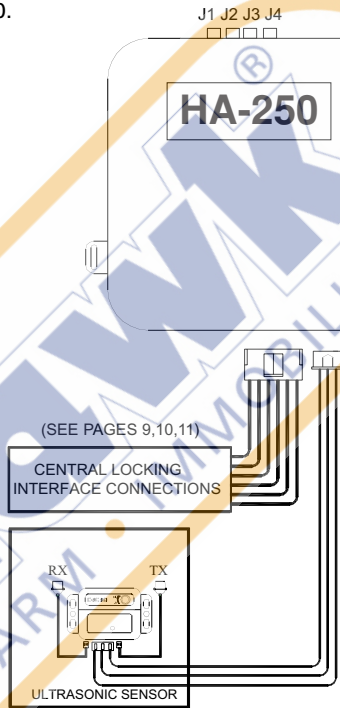
## SIREN EMERGENCY SOUND & HAZARD LIGHTS

### EMERGENCY FLASH

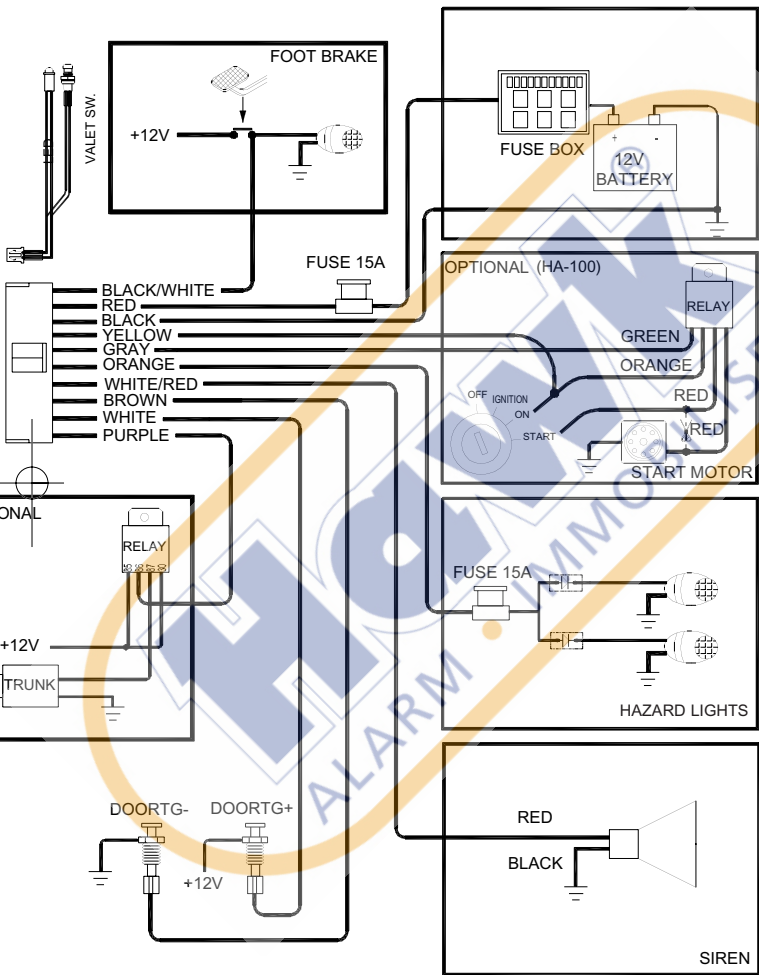
In armed mode, hazard lights will flash for 30 seconds and siren will sound for 30 seconds if triggered. Then, the trigger zone will be by-passed if continuously triggered. System will back to arming after trigger zone stable for 3 seconds.

# WIRING DIAGRAM

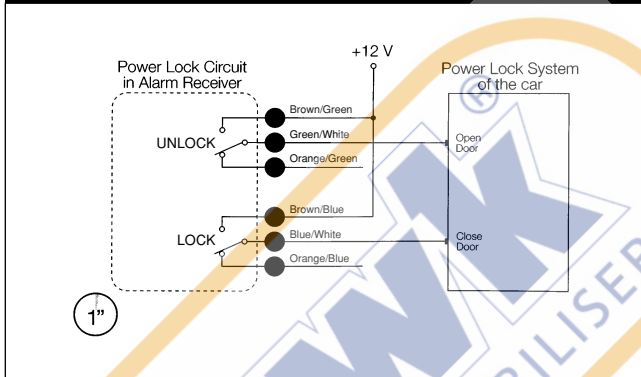
Manufactured in strict accordance to ISO 9001 & QS 9000.



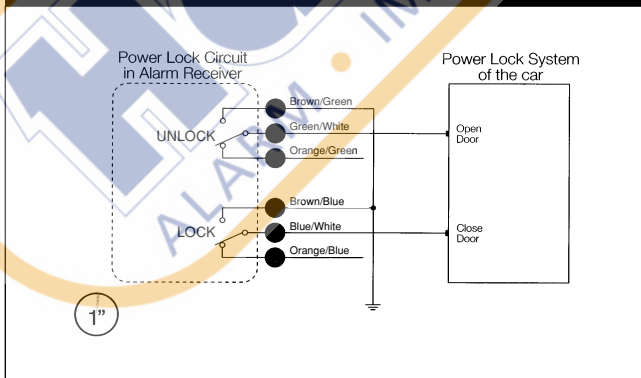




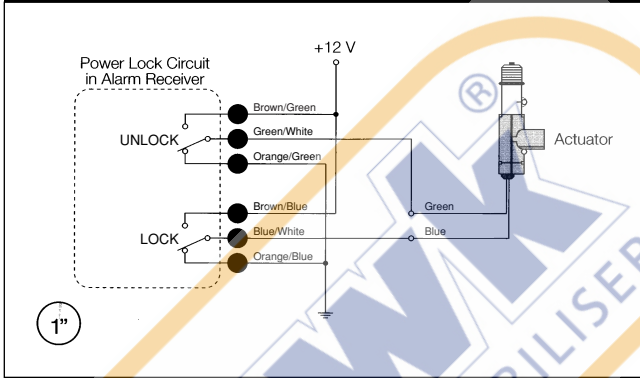
**Fig. A For cars with positive central door locking system**  
 - i.e. Ford, Alfa, Fiat, Lancia



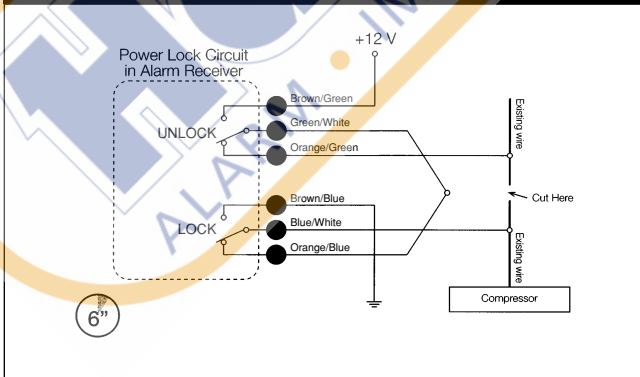
**Fig. B For cars with negative central door locking system**  
 - i.e. BMW 5 Series - 88 →, Renault, VW Passat - 88 →



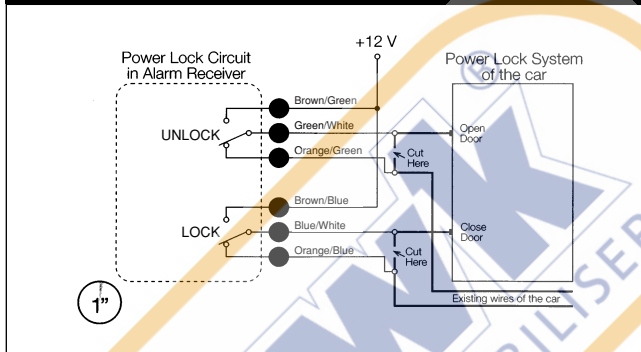
**Fig. C** For cars without central door locking motor in the driver's door - i.e. Honda, Volvo, Golf - 91 →



**Fig. D** For cars fitted with pneumatic central door locking - i.e. Mercedes Benz, Audi, VW



**Fig. E** For cars with original central locking system where there is a power door lock/unlock switch provided - i.e. Chrysler, Mercury, G.M. Cars



**Note:** For replacement transmitters please contact the dealer (Remote Part No. HA12B) This transmitter uses 1 x 27A alkaline battery.

Manufactured by Commercial Electronics • Great Britain • © Commercial Electronics 2005

*It is the policy of Commercial Electronics to continually update and improve our security systems. We therefore reserve the right to alter specifications and products without prior notice.*